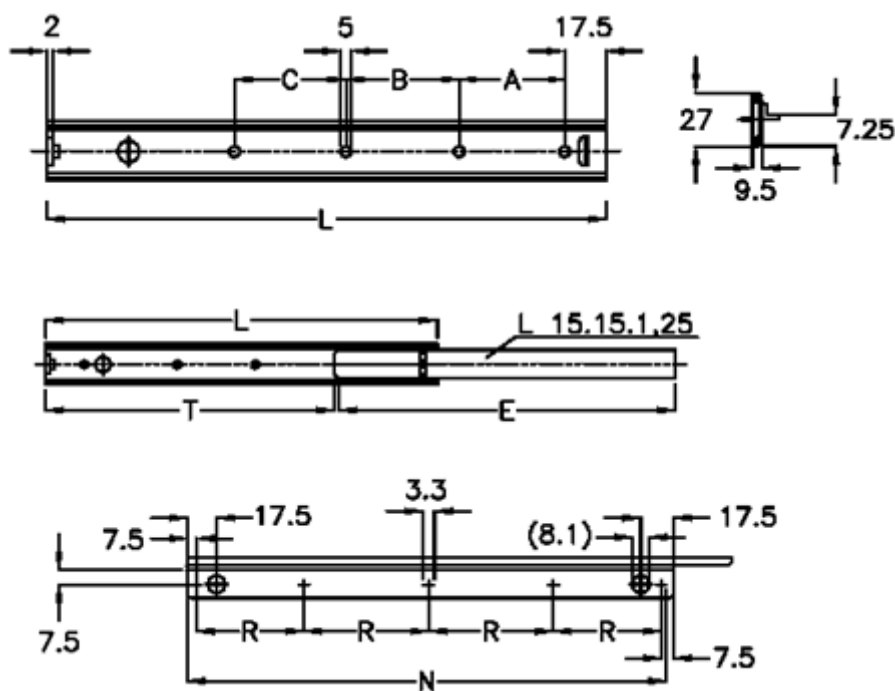


Article number: 11109051

Description: Thomas Regout Telescopic slide 11109051 EMS2, 2joints
 Length 400 mm / load cap. 26 kgs / extension 290 mm

Measures



A	= 96	T = 290
B	= 96	
C	= 160	
E	= 373	
L	= 400	
Load capacity side mounted	= 20	
N	= 375	
R	= 120.0	